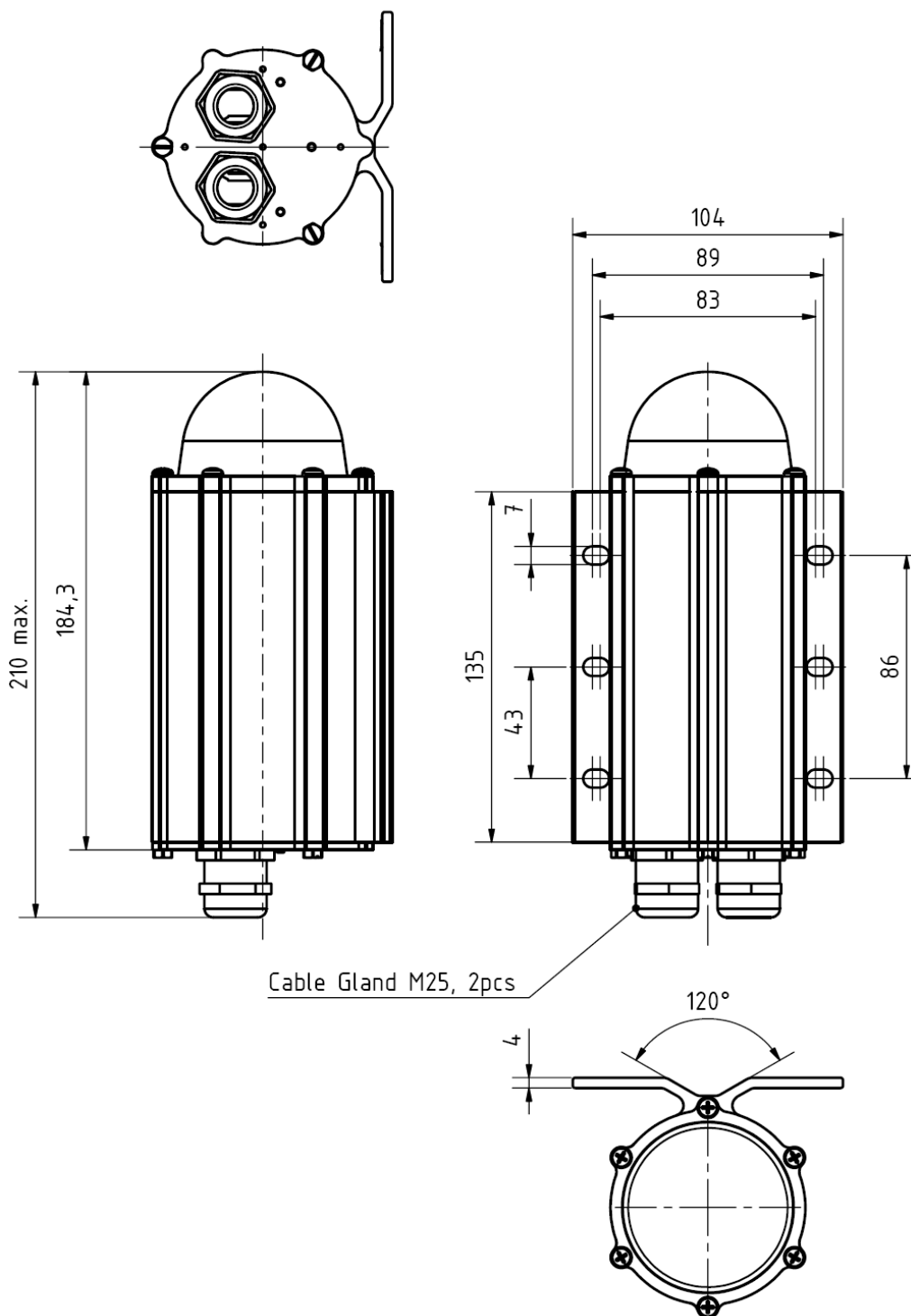


Mechanical dimensions



Technical information in this document is subject to change without notice. Copyright © Obelux Oy 2007