

115 V_{AC} ICAO Low-intensity, Type B Obstacle Light
115 V_{AC} FAA Type L-810 Low Intensity Obstacle Light

Key features

- Based on LED-technology
- Extremely reliable - long lifetime
- Very low power consumption
- 115 V AC nominal supply voltage
- Intensity more than 32.5 cd
- Stabilised light output
- Easy to install
- No RF-radiations

Benefits

- Long maintenance intervals
- Low energy cost
- Supply power voltage variations do not affect to light output
- Very low total lifetime costs
- Comes with five (5) years warranty

Specifications met

- ICAO International Standards and Recommended Practices:
Aerodromes - Annex 14 Volume 1, 5th Edition, July 2009,
Chapter 6: Low-intensity, Type B Fixed Obstacle Light
- FAA Advisory Circular 150/5345-43F 09/12/06 L-810 Light Unit

Optical characteristics

- Intensity >32.5 cd
- Colour aviation red
- Horizontal radiation pattern 360°
- Vertical radiation pattern 50°
- LED supply current stabilised by constant current generator
- Light output degradation less than 30% after 100.000 h of operation

Electrical characteristics

- LEDs in several separate groups
- Nominal operating voltage 115 V_{AC}
- Power consumption less than 15 VA
- Operating voltage range 105 to 140 V_{AC}
- Two-stage over-voltage protection

Mechanical characteristics

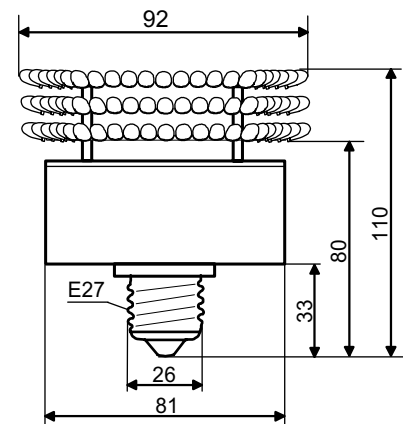
- Yellow ABS body
- Ingress protection IP 30
- Operating temperature range -55°C to +55°C
- Height 110 mm, diameter 92 mm, weight 0.4 kg



Ordering Code: **Obelux 32-115-E27**

Made in Finland



Obelux 32-115-E27



	OPERATING VOLTAGE 115 V_{AC}
	CAUTION ! LED RADIATION DO NOT STARE INTO LED BEAM OR VIEW DIRECTLY WITH OPTICAL INSTRUMENTS. CLASS 2A LED PRODUCT

Technical information in this document is subject to change without notice. Copyright © Obelux Oy 2010