

48 V_{DC} 30 cd LFV Obstacle Light

Key features

- Based on LED-technology
- 30 cd luminous output
- Steady burning red light
- Complete set with accessories
- Extremely reliable
- Very long life time
- Low power consumption
- 48 VDC operating voltage
- Stabilised light output
- Easy to install
- Mounting set and terminal box included

Specifications met

- BCL-F 4-1-5, LFS 1978:4, paragraph 7.2 lågintensiv hinderbelysning

Benefits

- Long maintenance intervals
- Low energy costs
- Input power voltage variations do not affect to light output
- Very low lifetime costs

Optical characteristics

- Intensity >30 cd
- Colour aviation red
- Horizontal radiation pattern 360°
- Vertical radiation pattern -10,° +35°
- Current for the LEDs is stabilised by constant current generator
- Expected lifetime without light output falling 20 cd >100 000 h

Electrical characteristics

- LEDs are in several separate groups
- Nominal operating voltage 48 VDC
- Power consumption <10 W (<0,25 A constant current)
- Operating voltage range 48 to 58 VDC
- Overvoltage protection

Other

- Black anodised aluminium light unit body
- Galvanised mounting arm
- Acid proof U-bolts and hex nuts
- Uncoloured glass cover
- Degree of protection IP 65
- Operating temperature range -55 to +55°C
- Height 300 mm, diameter 140 mm
- Wind load @ 200 km/h <150 N
- Total weight 3.0 kg
- 5 year warranty

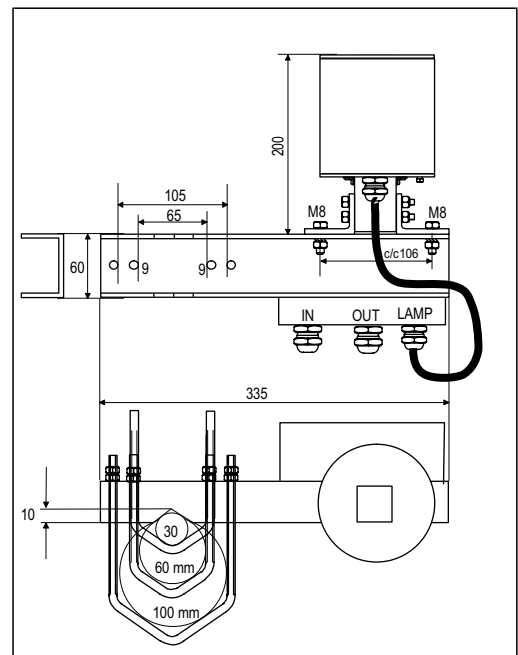
Order Code (light unit and mounting accessories): **Obelux 30-48-CST**

Also available with 230 V AC operating voltage

Made in Finland



Obelux 30-48-CST



Obelux 30-48-CST dimensions



OPERATING VOLTAGE

48 VDC



CAUTION ! LED RADIATION

DO NOT STARE INTO LED BEAM OR VIEW
DIRECTLY WITH OPTICAL INSTRUMENTS.
CLASS 2A LED PRODUCT

Technical information in this document is subject to change without notice. Copyright © Obelux Oy 2004

48 V_{DC} 30 cd LFV Obstacle Light

Obelux 30-48-CST is an obstacle light utilizing LED technology. The cabling and installation principles are similar to those of conventional obstacle lights, the only exception being the correct polarity required by DC feed.

Terminal box include screw terminals and overvoltage protectors.

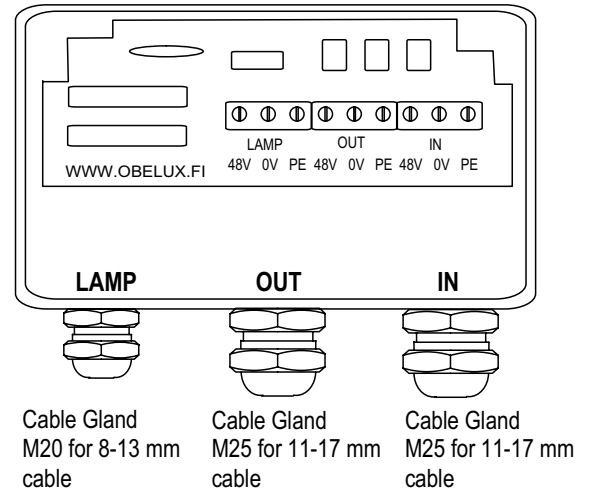
The polarity is:

- Blue -
- Black +
- Yellow-Green PE

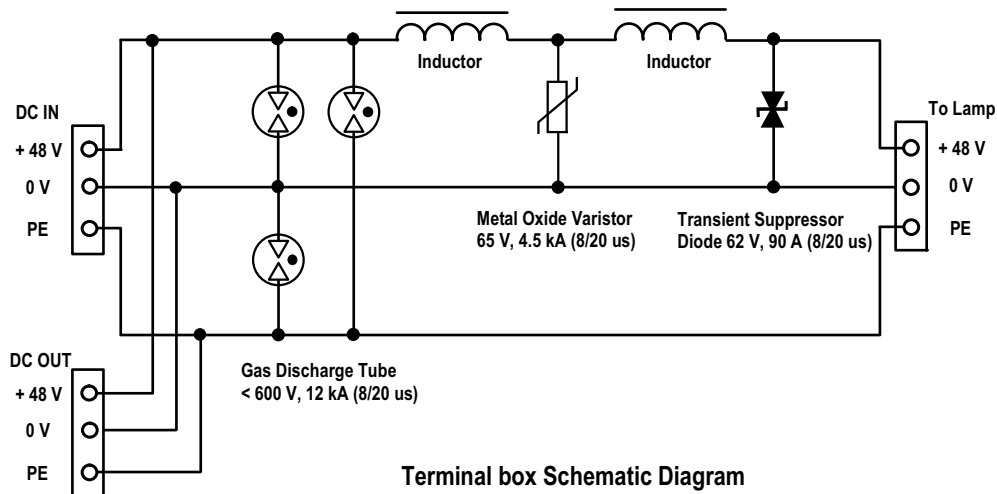
All connection alternatives can be protected with a 6 A or 10 A fuse or with a circuit breaker (C curve).

Installation specifications

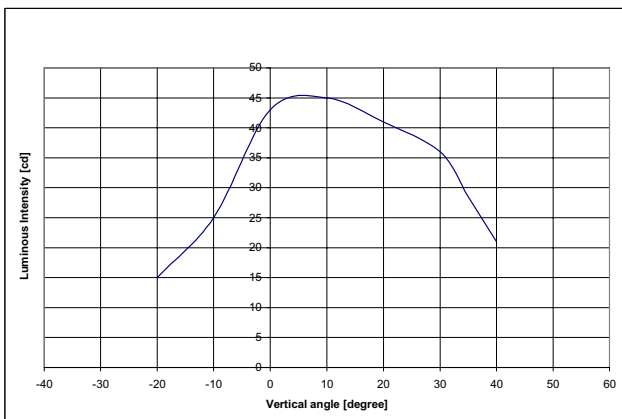
- Cable gland for lamp: M20, 8-13 mm cable
- Cable gland for IN and OUT: M25, 11-17 mm cable
- Wire diameter: max. 6 mm²
- Recommended cable: 2x1.5+1.5 or 2x2.5+2.5 mm²



Obelux 30-48-CST terminal box



Terminal box Schematic Diagram



Obelux 30-48-CST luminous intensity distribution

OPERATING VOLTAGE

48 V DC

CAUTION ! LED RADIATION

DO NOT STARE INTO LED BEAM OR VIEW DIRECTLY WITH OPTICAL INSTRUMENTS.
CLASS 2A LED PRODUCT

Technical information in this document is subject to change without notice. Copyright © Obelux Oy 2004