

Key features

- Based on LED-technology
- 100 cd effective intensity at flashing operation
- 170 cd peak intensity
- Extremely reliable
- Very long life time
- Low power consumption
- 24 VDC operating voltage
- Stabilised light output
- Easy to install
- Mounting set, terminal box and overvoltage protectors included

Benefits

- Long maintenance intervals
- Low energy costs
- Input power voltage variations not affect to light output
- Very low lifetime costs

Specification met

BMVBW LS 11/60.01.87-01/5 Va 02, 24. September 2002

Optical characteristics

- Colour aviation red
- Horizontal radiation pattern 360°
- Vertical minimum peak intensities with flashing mode (2/4 ON-duty cycle):
 - +0,° -0°: 170 cd
 - +5,° -5°: 170 cd
 - +10,° -10°: 115 cd
 - +15,° -15°: 30 cd
- Current for the LEDs is stabilised by constant current generator
- Expected lifetime without light output falling 30% >100 000 h

Electrical characteristics

- LEDs are in several separate groups
- Nominal operating voltage 24 VDC
- Power consumption at steady burning mode < 19 W (<0,8 A constant current)
- Average power consumption with flashing mode (2/4 ON-duty cycle): < 8,5 W
- Operating voltage range 22,5 to 28 VDC
- Overvoltage protection

Other

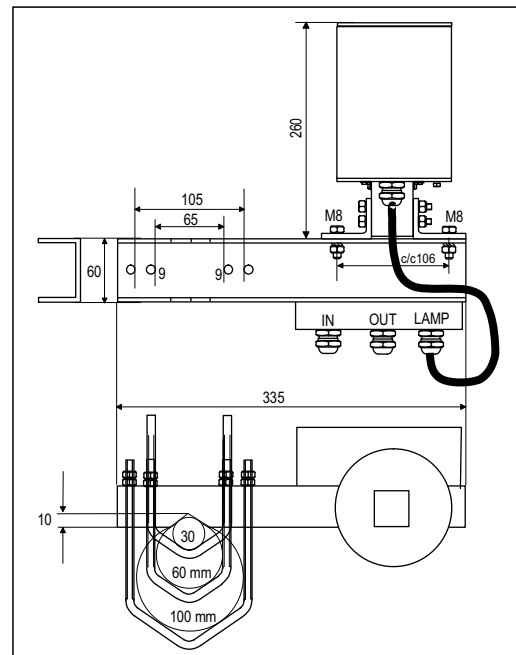
- Black anodised aluminium light unit body
- Galvanised steel mounting arm
- Acid proof U-bolts and hex nuts
- Uncoloured glass cover
- Degree of protection IP 65
- Operating temperature range -55 to +55°C
- Light unit height 200 mm, diameter 140 mm
- Wind load @ 200 km/h < 130 N
- Total weight 2.5 kg
- 5 year warranty

Order Code: Obelux 150-24-CST

Options: Acid proof mounting arm. **Order Code:** 150-24-CST316



Obelux 150-24-CST



Obelux 150-24-CST Obstacle Light Set

OPERATING VOLTAGE

24 VDC

CAUTION ! LED RADIATION

DO NOT STARE INTO LED BEAM OR VIEW DIRECTLY WITH OPTICAL INSTRUMENTS. CLASS 2A LED PRODUCT

Technical information in this document is subject to change without notice. Copyright © Obelux Oy 2010

24 V_{DC} 100 cd effective, 170 cd peak BMVBW Obstacle Light

Obelux 150-24-CST is an obstacle light utilizing LED technology. The cabling and installation principles are similar to those of conventional obstacle lights, the only exception being the correct polarity required by DC feed.

Terminal box include screw terminals and overvoltage protectors.

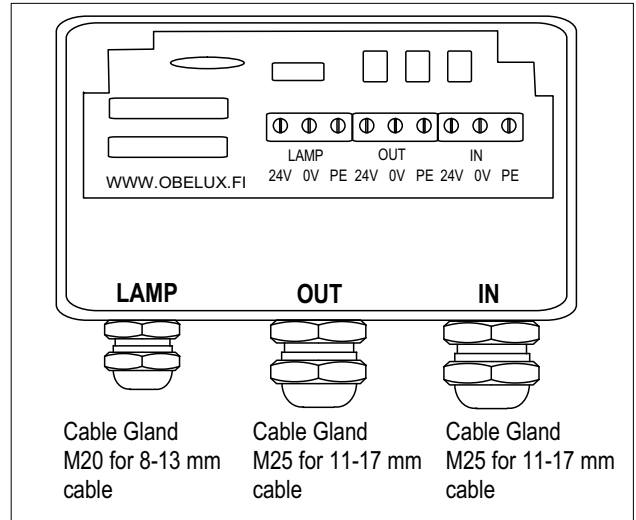
The polarity is:

- Blue -
- Black or brown +
- Yellow-Green PE

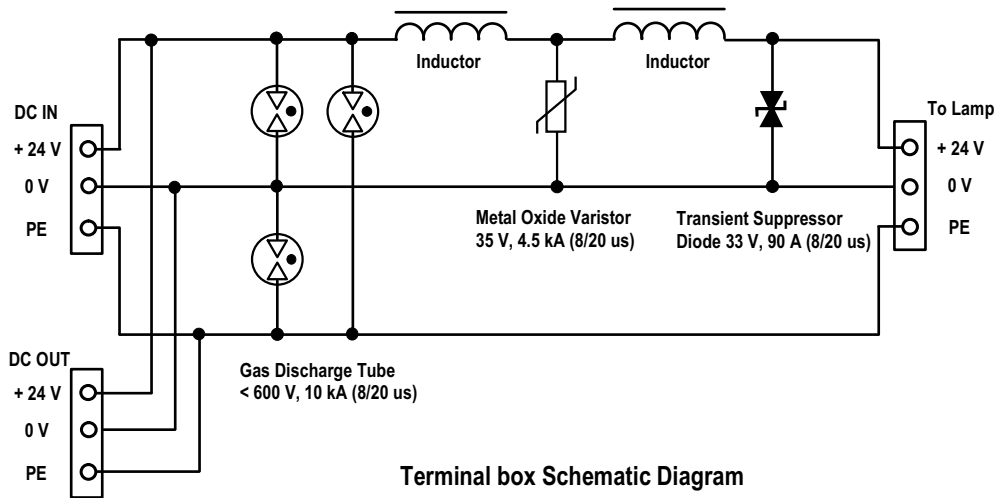
All connection alternatives can be protected with a 6 A or 10 A fuse or with a circuit breaker (C curve).

Installation specifications


- Cable gland for lamp: M20, 8-13 mm cable
- Cable gland for IN and OUT: M25, 11-17 mm cable
- Wire diameter: max. 6 mm²
- Recommended cable: 2x1.5+1.5 or 2x2.5+2.5 mm²




Obelux 150-24-CST terminal box



Terminal box Schematic Diagram



OPERATING VOLTAGE
24 V DC



CAUTION ! LED RADIATION
DO NOT STARE INTO LED BEAM OR VIEW
DIRECTLY WITH OPTICAL INSTRUMENTS.
CLASS 2A LED PRODUCT