

**48 V<sub>DC</sub> ICAO Low-intensity, Type A Obstacle Light, replacement unit**

**Key features**

- Based on LED-technology
- Extremely reliable - long lifetime
- Very low power consumption
- 48 V DC nominal supply voltage
- Intensity 18 cd typical
- Stabilised light output
- Easy to install
- Absolutely no RF-radiations
- Safe and easy to use

**Benefits**

- Long maintenance intervals
- Low energy cost
- Supply power voltage variations do not affect to light output
- Very low total lifetime costs
- Comes with five (5) years warranty

**Specifications met**

- ICAO International Standards and Recommended Practices:  
Aerodromes - Annex 14 Volume 1, 5th Edition, July 2009,  
Chapter 6: Low-intensity, Type A Fixed Obstacle Light

**Optical characteristics**

- Intensity better than 10 cd (18 cd typical)
- Colour aviation red
- Horizontal radiation pattern 360°
- Vertical radiation pattern 50°
- LED supply current stabilised by constant current generator
- Light output degradation less than 30% after 100.000 h of operation

**Electrical characteristics**

- LEDs in several separate groups
- Nominal operating voltage 48 V<sub>DC</sub>
- Power consumption less than 5 W
- Operating voltage range 45 to 58 V<sub>DC</sub>
- Two-stage over-voltage protection

**Mechanical characteristics**

- Yellow ABS+PC body
- Degree of protection IP 30
- Operating temperature range -55°C ... +55°C
- Height 100 mm, diameter 92 mm, weight 0,1 kg

**Installing instructions**

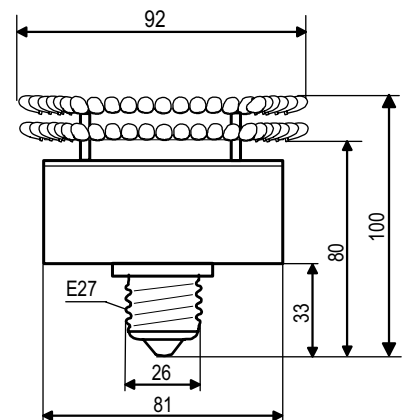
- The E27 base supports dual polarity connection,  
and the -/+ poles can be connected either way in cabling



Ordering Code: **Obelux 10-48-E27**

Made in Finland



**Obelux 10-48-E27**



	<b>OPERATING VOLTAGE</b> <b>48 V DC</b>
	<b>CAUTION ! LED RADIATION</b> DO NOT STARE INTO LED BEAM OR VIEW DIRECTLY WITH OPTICAL INSTRUMENTS. CLASS 2A LED PRODUCT